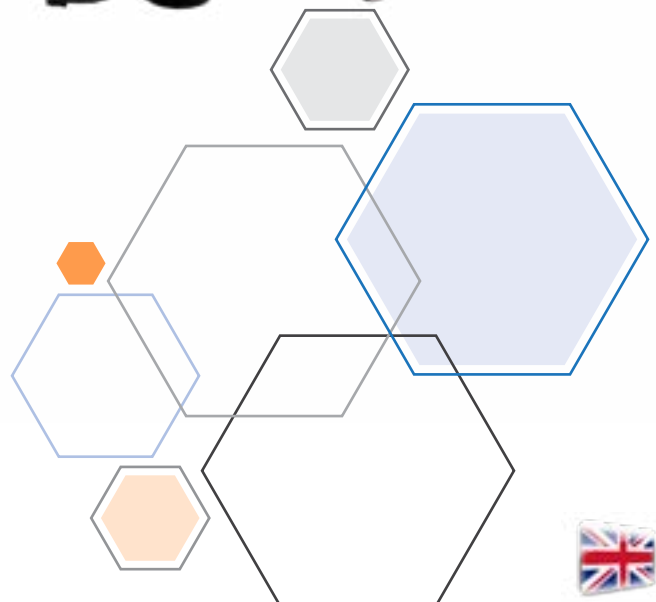
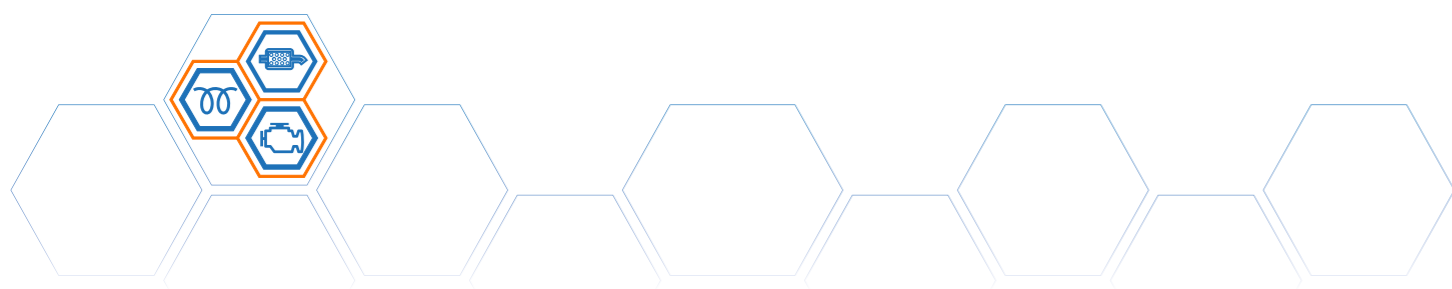


PORTABLE DRYER FOR PARTICULATE FILTERS

DPF DRYER





Control panel

Simple and intuitive control panel. It consists of a selector to activate only the fan (Position 1) or the fan together with the heater (Position 2) as well as a thermostat to control the desired drying temperature.



Thanks to the power and drying capacity of the DPF Dryer, it can be used to dry any particulate filter or catalytic converter from passenger cars, vans, trucks, agricultural vehicles etc.

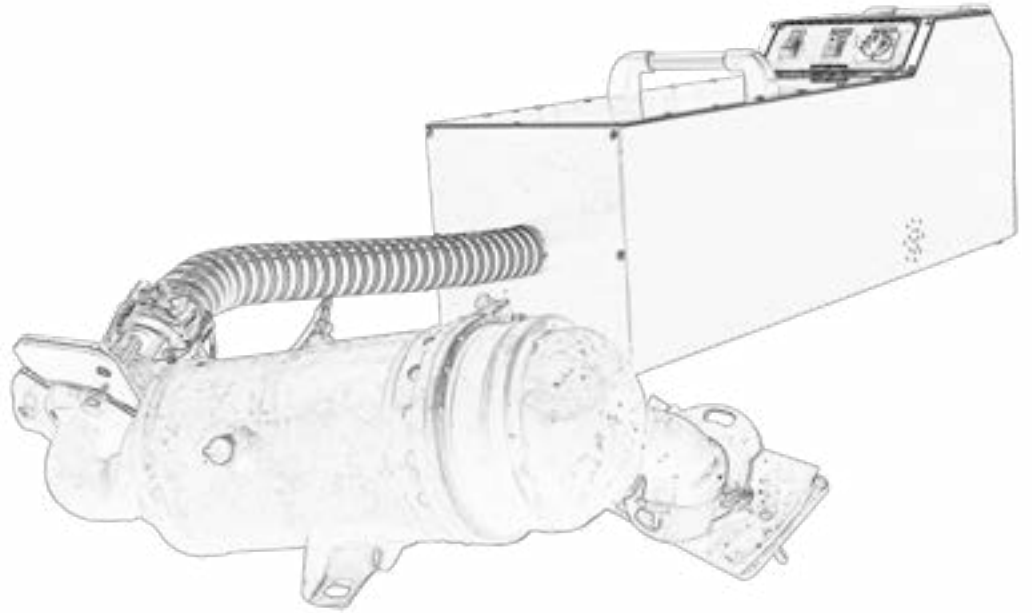
The DPF Dryer is capable of drying a car filter in only 10 minutes.

Ideal as a drying complement for those machines that do not have their own drying system as well as to work in conjunction with any type of machine to shorten delivery times. Drying is normally the bottleneck in the cleaning process.



TECHNICAL DATA

Power supply	400V - 3 PH - 50 Hz
Power	8 kW
Absorption	20A
Temperature	0-150 °C
High	340 mm
Width	260 mm
Long	1.030 mm
Weight	23 Kg
Material	Stainless steel AISI 304



DPF REVIVAL

Pol. Ind. Villayuda
C/ la Demanda S/N
Naves Azucarera, Nave C1
09007 - Burgos
ESPAÑA

Tel : +34 947 215 125

www.dpf-revival.com

Email: info@dpf-revival.com

ISO 9001
ISO 14001
BUREAU VERITAS
Certification

